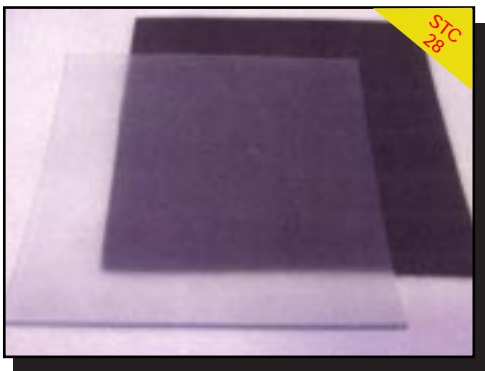




Acoustical Surfaces, Inc.

SOUNDPROOFING, ACOUSTICS, NOISE & VIBRATION CONTROL SPECIALISTS

We Identify and **S.T.O.P.** Your Noise Problems



Noise S.T.O.P. SuperSound™ Barrier, Mass Loaded Vinyl Noise Barrier Soundproofing — STC 28!!

Highest STC at the Lowest Price

- ✓ Reduces Sound Transmission
- ✓ Contains Noise
- ✓ Improves Communications
- ✓ Improves Health & Safety

MATERIAL: Mass Loaded Vinyl. 1.25 lb sq. ft.

PATTERN: Smooth Finish.

FEATURES: High density, limp material to reduce transmission of sound.

APPLICATIONS: Reduced noise transmission through ceilings, walls, floors, machinery enclosures, ductwork. Apply over suspended ceilings on studs or joists.

SIZE: Rolls: 54" wide x 20" Sheets: 2' x 4'. **THICKNESS:** 1/8" – 1.25 lb sq. ft., Optional: 1/2" lb./sf, 1 lb./sf, 2 lb. sf.

COLOR: Standard black or translucent. Optional tan, gray, (reinforced), clear.

INSTALLATION: Material can nailed, glued, screwed, stapled or can be reinforced and grommeted and hung like a curtain.

HIGHEST STC AT THE LOWEST PRICE!!

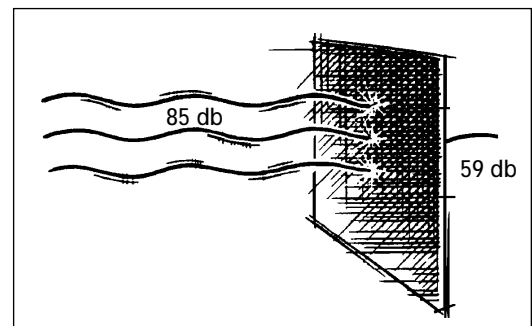
FLAMMABILITY: UL94VO

SuperSound Barrier™ – Sound Absorption / Noise Reduction							
Barriers	Noise Transmission Loss (dB) Per Octave Band (HZ)						
	125Hz	250Hz	500Hz	1KHz	2KHz	4KHz	STC
2 lb. psf	16	22	26	32	35	40	31
1.25 lb. psf	14	18	24	27	33	38	28
1 lb. psf	13	17	22	26	32	37	27
1/2 lb. psf	8	13	17	22	27	31	20

Part #	Size	STC
.5B-24	Sheets (2' x 4')	20
.5B-20R	Rolls (20' x 4.5')	20
1B-24	Sheets (2' x 4')	27
1B-20R	Rolls (20' x 4.5')	27

Part #	Size	STC
1.25B-24	Sheets (2' x 4')	28
1.25B-20R	Rolls (20' x 4.5')	28
2B-24	Sheets (2' x 4')	32
2B-20R	Rolls (20' x 4.5')	32

Part #	Size	STC
1TB-24	Sheets (2' x 4')	27
1TB-20R	Rolls (20' x 4.5')	27



Continued on next page.



Acoustical Surfaces, Inc.

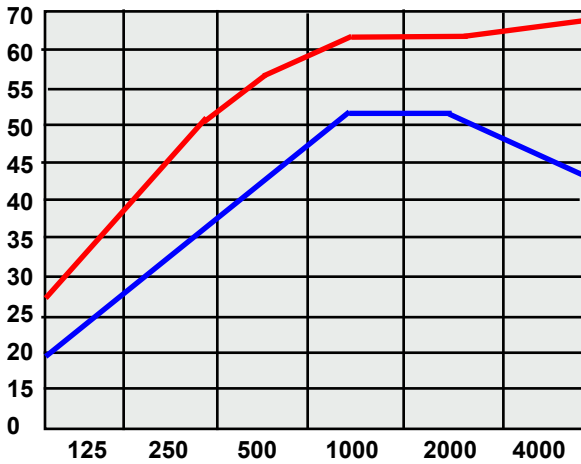
SOUNDPROOFING, ACOUSTICS, NOISE & VIBRATION CONTROL SPECIALISTS

123 Columbia Court North • Suite 201 • Chaska, MN 55318
(952) 448-5300 • Fax (952) 448-2613 • (800) 448-0121

Email: sales@acousticalsurfaces.com
Visit our Website: www.acousticalsurfaces.com

We Identify and **S.T.O.P.** Your Noise Problems

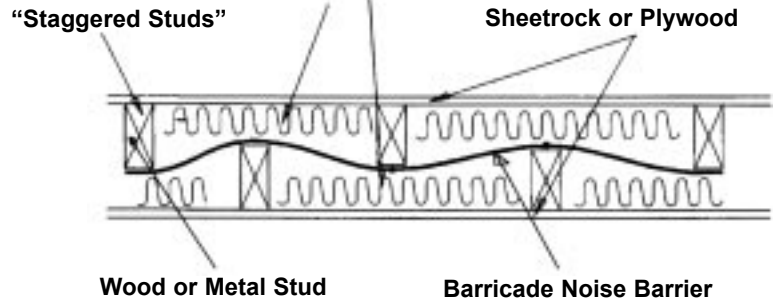
ACOUSTICAL DATA



— Standard Wall Construction STC 41
— Vinyl Barrier Treated Wall STC 50

SoftSounds™ Stud Assembly

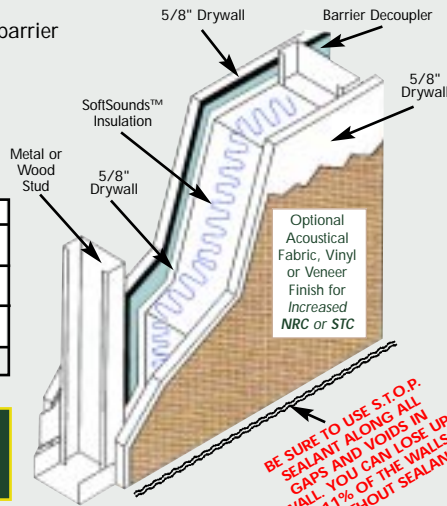
“Standard” Building Insulation



ASI Pro Audio's Suggested Retrofit Wall Construction System

1. Fill area between studs with SoftSounds™ insulation, 3" or 5".
2. Glue 1.25 lb. sq. ft. barrier to back of drywall.
3. Install drywall.
4. Use A.S.I. Acoustic Sealant on gaps in drywall.

Acoustical Treated Retrofit Wall Construction



Part #	Description
SSR-1916	SoftSounds™ Insulators
STOP SEAL-29	29 Oz. Sealant
1.25B-20R	Super Sound Barrier
RSIC	RSIC Clips

Wall System Estimated
STC 49

*NOTE: use of RSIC-1 clips and hat channel with another layer of 1/2" drywall could increase STC to 67



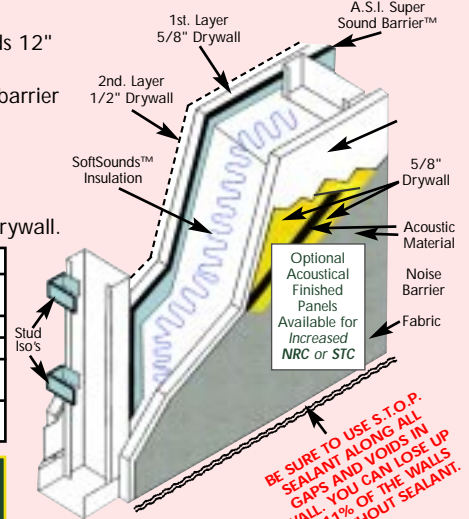
BE SURE TO USE S.T.O.P. SEALANT ALONG ALL GAPS AND VOIDS IN WALL. YOU CAN LOSE UP TO 11% OF THE WALLS STC WITHOUT SEALANT.

Proudly Made in the USA

ASI Pro Audio's Suggested New Wall Construction System

1. Fill area between studs with SoftSounds™ insulation, 3" or 5".
2. Stud isolators on studs 12" to 16" on center.
3. Glue 1.25 lb. sq. ft. barrier to back of drywall.
4. 2nd layer of drywall (if possible).
5. Use A.S.I. Acoustic Sealant on gaps in drywall.

Acoustical Treated New Wall Construction



Part #	Description
SSR-1916	SoftSounds™ Insulators
SI OR RSIC	Stud Isolators RSIC Clips
STOP SEAL-29	29 Oz. Sealant
1.25B-20R	Super Sound Barrier

Wall System Estimated
STC 57

*NOTE: use of RSIC-1 clips and hat channel could increase STC to 67



BE SURE TO USE S.T.O.P. SEALANT ALONG ALL GAPS AND VOIDS IN WALL. YOU CAN LOSE UP TO 11% OF THE WALLS STC WITHOUT SEALANT.

Proudly Made in the USA